

Electronic coupler locks

SKOPEI

Access tot success

Skopei believes that happiness equals freedom, for both organisations and users, to move in a clean and liveable world by sharing trailers together.

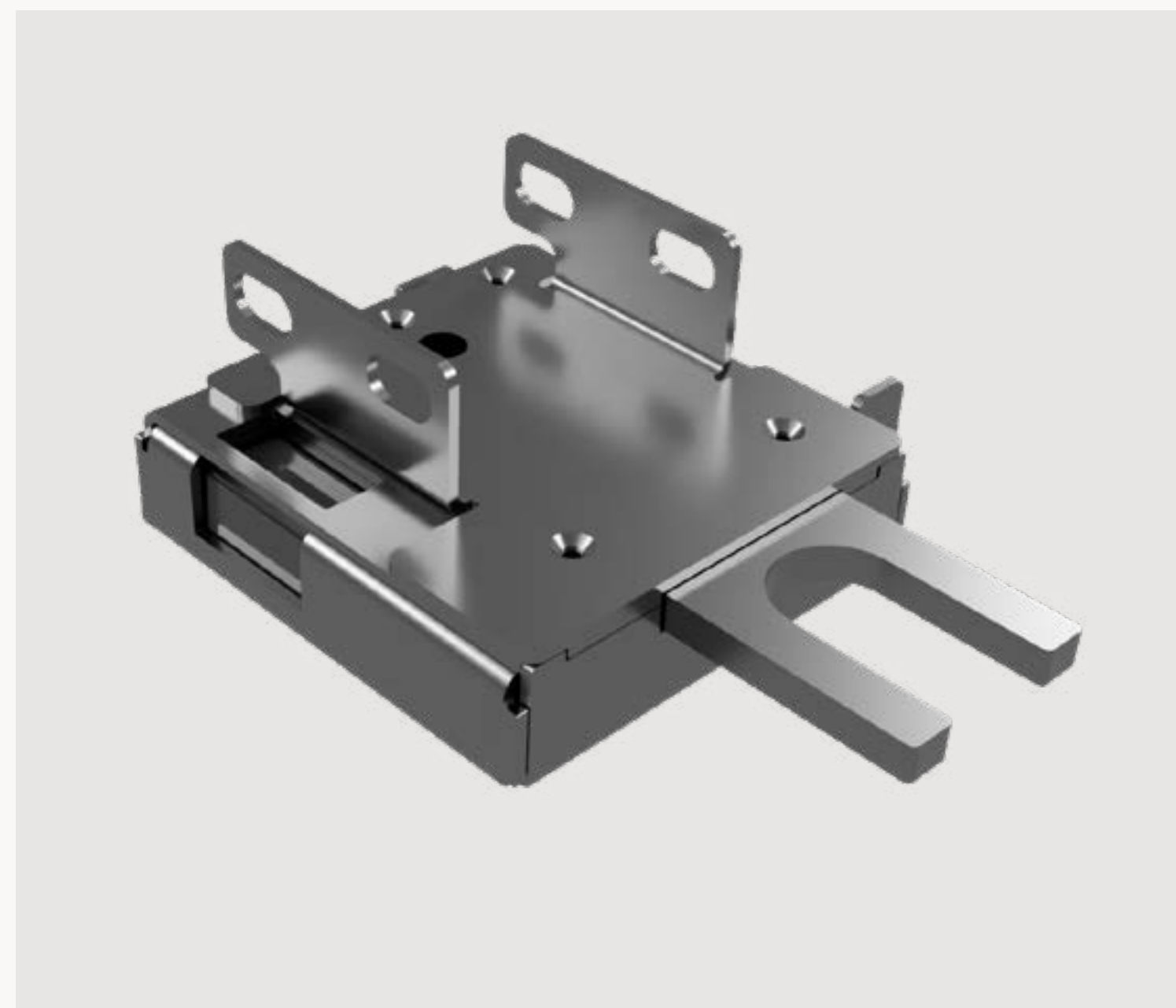
Our smart hardware makes this possible by transforming trailers into smart products that are easy to manage while providing insight to organisations. The smart electronic drawbar locks enable unlocking without a physical key, eliminating the risk of losing keys and increasing your freedom. Combined with our software label called Topology, Skopei optimises the entire process around trailer and trailer sharing and management.

Our solution gives trailer manufacturers and lessors complete freedom to decide how they want to use their trailers, resulting in time savings on administrative costs and improved efficiency.



Customised approach for every trailer

Skopei's hardware is designed to meet the needs of a variety of organisations, which deploy different trailers for a wide target audience. For this reason, we have designed two types of trailer locks to suit the needs of both organisations with public trailer fleets to internal user groups within organisations. Combined with our software, Topology, you can confidently choose an efficient solution what matches your needs.



Smart trailer locks

Our electronic hitch lock, available in Base and Pro variants, can be unlocked quickly and easily via Bluetooth, eliminating the need for a physical key transfer. As standard, the trailer lock is equipped with a battery with a standby time of 18 months. Recharging the lock can be done via a charger or the cable harness, but due to the battery time, this is just a formality.

Want to see the location of your fleet of trailers? Then opt for the Pro variant, which allows the optional addition of 4G/GPS functionality. This gives you continuous insight into your fleet.

Technical specifications

- ✓ Waterproof Housing: IP55
- ✓ Mechanical Lock Made of Hardened Steel
- ✓ Suitable for Braked and Unbraked Trailers
- ✓ Standby Time: Up to 18 Months
- ✓ 12V Connection to Wiring Harness (Optional)
- ✓ Placement Under Tow Hitch Coupling (Optional)

Trailer management, sharing and rental For whom?

Whether you are a trailer manufacturer or rental company looking for a way to efficiently organize and deploy your trailers? No matter how you describe yourself, our solutions are designed to stimulate the use of sustainable mobility, save costs, and optimise the utilisation rate of your trailer offerings.

Trailer rental

As a trailer rental provider, you can reap numerous benefits from our trailer locks and platform, including keyless access to trailers, expanded service offerings, and precise insights into trailer usage. By digitising the entire rental process, you can generate optimal utilisation rates for your inventory.

Choose Topology or your own management system

Skopei believes in flexibility and freedom, by using our software label Topology. Use Topology to reserve, manage items and gain insight into the usage of your offerings.

Topology is available as an app and online environment for booking and unlocking a trailer. As an organisation, you will have your own management portal. Alternatively, there is also the choice of using your own management software to share your fleet.

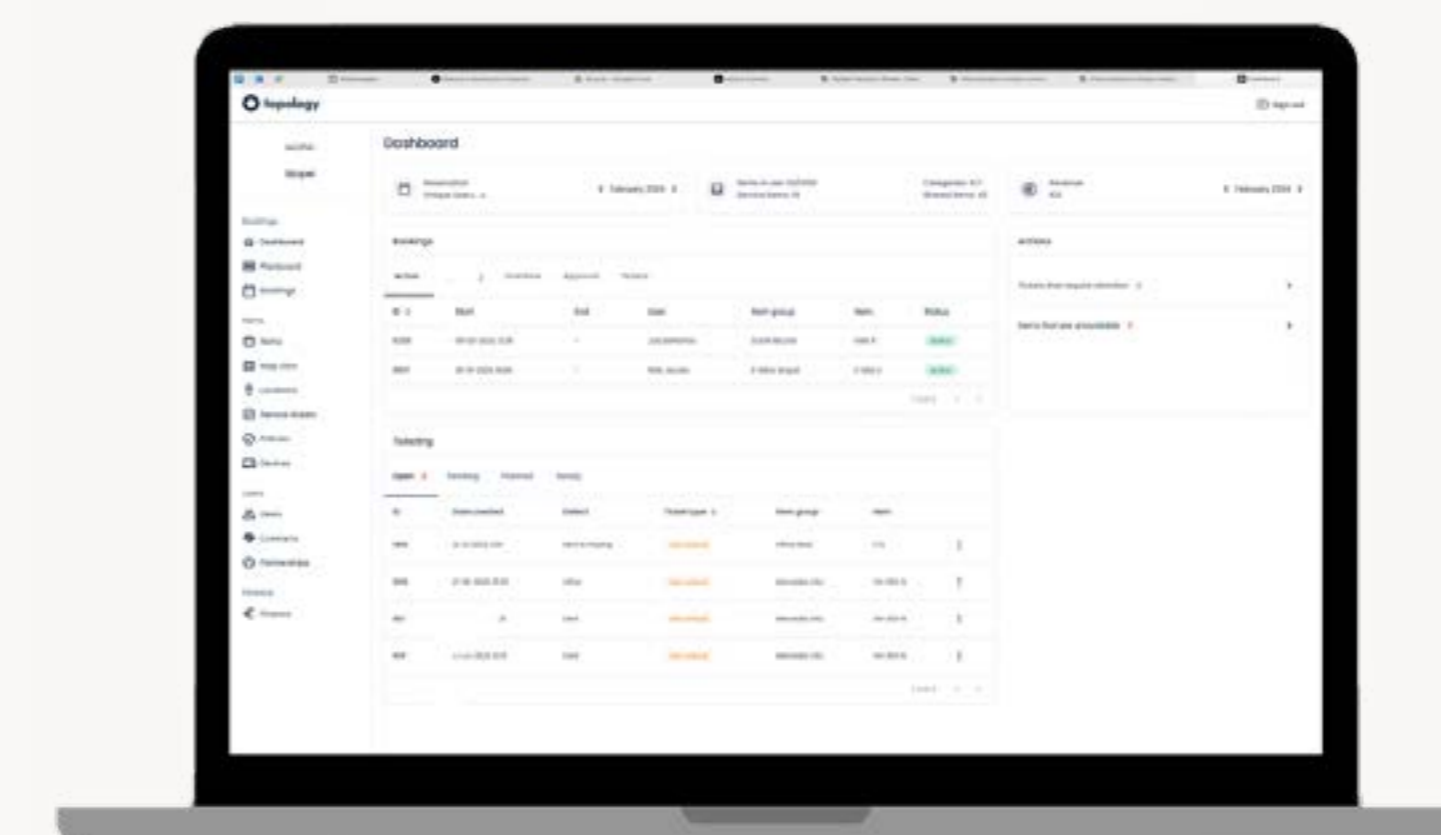
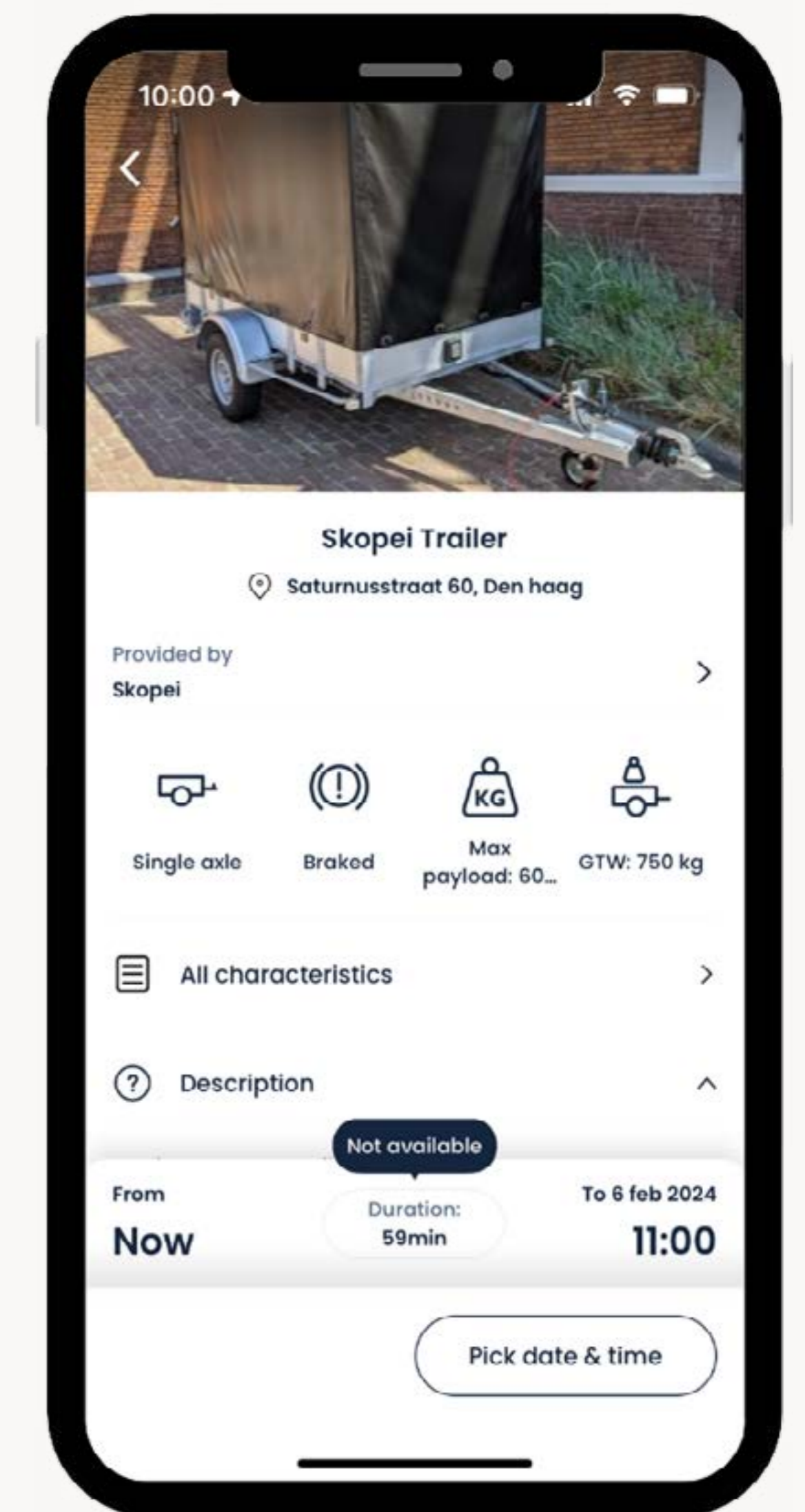
Topology

Access management

With Topology, sharing and managing trailers is easier than ever. Topology provides advanced access management, allowing users to easily access shared trailers based on authorisation level. Organisations can easily set access to trailers, thereby maintaining control over trailer usage and access.

Insights and analysis

Nothing is more important than knowing who and when accessed your trailers. That's why our electronic trailer locks can be fitted with built-in GPS tracking to the Topology platform, giving you 24/7 visibility of user activities and where your trailers are.



Topology App

Our Topology app, available for both iOS and Android, is a true Swiss army knife. Packed with many conveniences, including Mobile Access, every user can instantly see which trailers are accessible. With just one simple swipe, any trailer can be unlocked. Skopei trailer locks also work offline, ensuring you always have access to your trailers.

Simplified management



Anytime, anywhere access to your trailers. The Topology Admin Cloud is available on your smartphone, tablet or PC. Using your own chosen access rules, you provide access to your trailers to whoever you want.

Topology Admin Cloud

Keyless unlocking

With Topology, it is easy to share and rent out your trailers to whoever you choose. This can range from your own employees to individual public users. Remote keyless unlocking allows users to easily access trailers without a physical key transfer.

Lock status monitoring

Through our system, you will have the ability to receive information on the status of the lock, on whether it is unlocked or locked. As a result, you can better maintain your trailers and ensure that your customers always have a reliable trailer to use.

Battery percentage

The batteries of our trailer locks are designed to last for a considerable time. As a result, you do not have to worry about charging the batteries periodically. In Topology's management portal, you can easily see the percentage of the battery and if necessary, recharge it. This will prevent unnecessary downtime for the trailers.

Reservations

Reservations can be viewed quickly and conveniently in the Topology admin cloud. For each reservation, it is possible to retrieve all details such as when the trailer reservation was made, who made the reservation, whether it was booked for business or private use, and the revenue generated by the reservation.

Service ticketing

Each trailer can be provided with a QR code. When a user wants to report a damage or defect, this can be easily reported via the Topology app. The user scans the present QR code and reports the defect via the app. The report is automatically sent to the provider of the item or directly to the connected service company.

Payments

User transactions are integrated into the Topology app. For private purposes, users will have to verify a payment method, after which an automatic withdrawal will take place every other week. For organisations, all revenue and expenses incurred by employees can be easily tracked in the Admin panel. Additionally, for organisations, there is also an overview in the admin portal of all invoices to be received.

SKOPEI

Skopei B.V.
Satunursstraat 60 u 17
2516AH Den Haag
+31 85 00 464 00
sales@skopei.com

www.skopei.com